

# Transfer Tray P 7010

## Transfer Tray P 7010

This transfer tray is suitable for flush built-in into cash desks and is equipped with two counter-moving money carriages. It is intended for indoor use and roofed outdoor use in banks, porters' offices and other cash areas, where money and objects are to be easily and quickly interchanged at the same time.

### Security

P 7010 corresponds to the Accident Prevention Regulations of the German Administrative Professional Association BGV C9 (UVV-Kassen).

### Operation

The unit is operated manually. The upper money carriage and the lower carriage move in counter directions and lock in their end positions. Unlocking is possible by pushing the slide control.

### Construction and finish

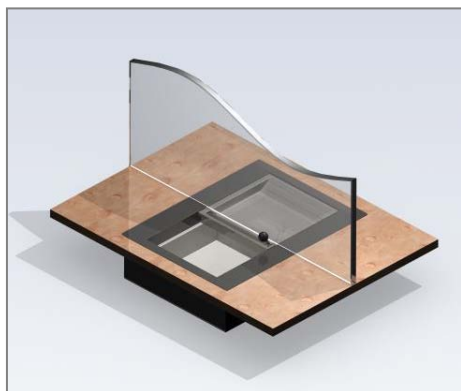
Robust steel construction with long-living and maintenance-free mechanics. Upper carriage made of impact-resistant plastic. Cover frame and carriages with abrasion-resistant structure lacquering (RAL 9005, Jet black).

### Installation

The unit can be inserted from above into the prepared cut-out of the counter. The edges of the frame cover the cut-out. In order to build in the unit completely flush with the counter, the desk plate can be milled.

The unit has to be supported by e.g. consoles to make sure that the whole weight does not burden on the cover frame.

It should be also possible to dismantle the unit in case of later repairs and maintenance work will be necessary.



### Intercommunication System

We recommend our Intercom System Delta to allow customer-friendly communication between operator and customer.



### Scope of delivery (Item No.: 100684)

Transfer Tray P 7010 - Standard Jet black

### Possible variants

P 7010/Alu, with cover frame in aluminium EV1, anodised (Item No.: 100706)

P 7010/VA, with cover frame in stainless steel V2a (Item No.: 100708)

P 7010/S, with cover frame in special RAL-colour according to customer's request

Please contact us.

### Security

Corresponds to the Accident Prevention Regulations BGV C9 (UVV Kassen)

### Cash desk cut-out:

W x D = 462 x 630 mm

### Outer dimensions :

W x H x D = 476 x 167 x 642 mm

### Inner clearance:

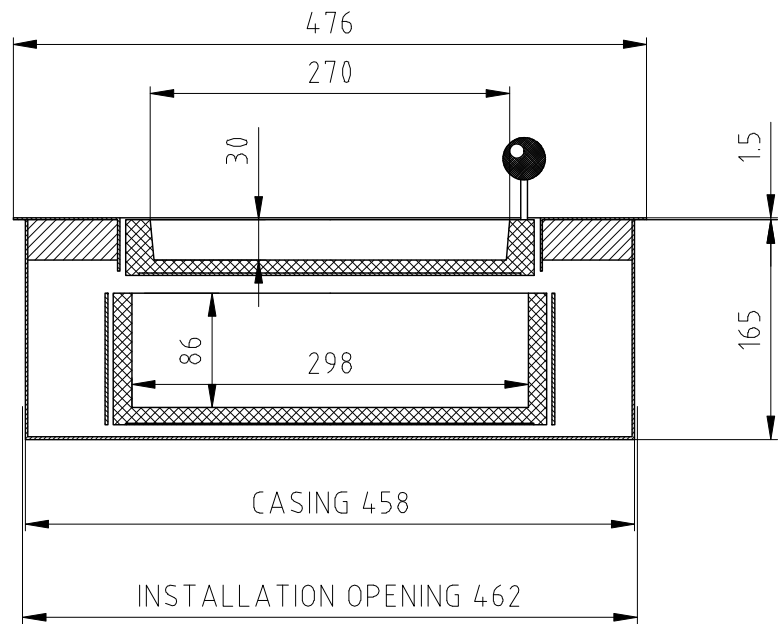
Upper tray: W x H x D = 270 x 30 x 215 mm

Lower tray: W x H x D = 298 x 86 x 286 mm

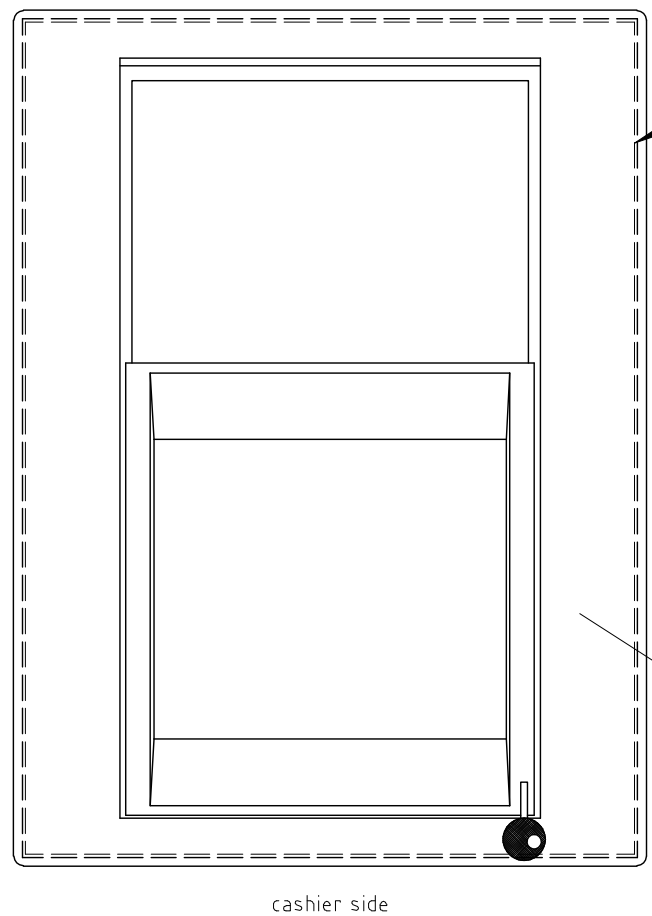
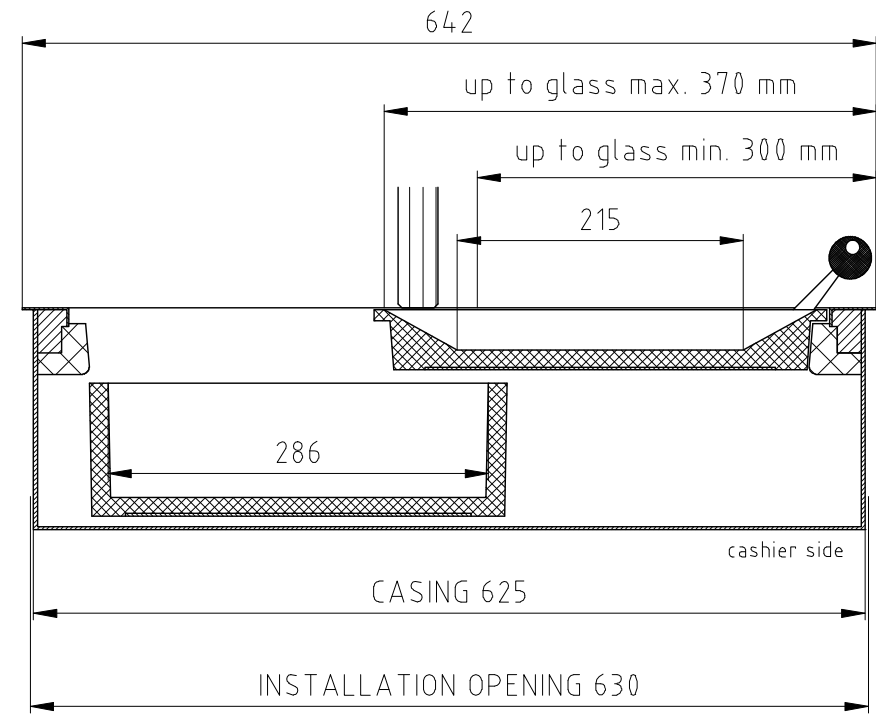
### Required information for order:

Name and Item No.

(Our recommendation: Intercom System Delta)

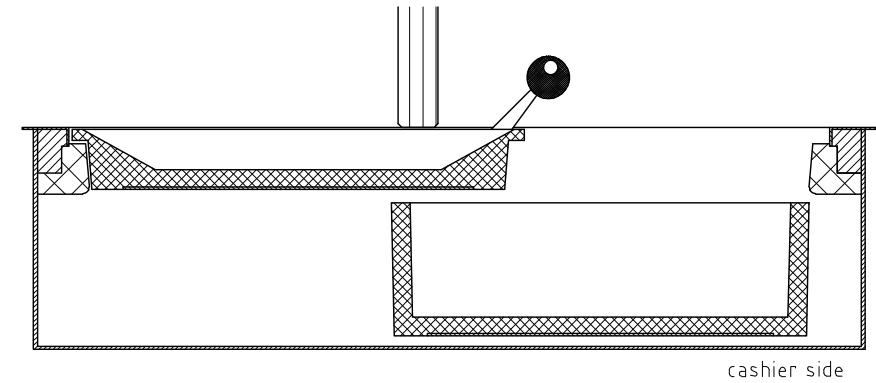


Transfer Tray P 7010  
Production: .... pcs.



approval for production  
date: \_\_\_\_\_  
stamp and signature

execution of surface of cover:



Allgemeintoleranzen DIN ISO 2768-1m  
Tolerierung DIN ISO 8015

|      | über 6 bis 6 | über 30 bis 30 | über 100 bis 100 | über 300 bis 300 | über 1000 bis 1000 |
|------|--------------|----------------|------------------|------------------|--------------------|
| ±0,1 | ±0,2         | ±0,3           | ±0,3             | ±0,5             | ±1,2               |

für Geradheit und Ebenheit ISO 2768 Toleranzklasse K  
±0,05 ±0,1 ±0,2 ±0,4 ±0,6 ±0,8

für Rechtwinkligkeit ISO 2768 Toleranzklasse K  
0,1 0,3 0,4 0,6 0,8 1

Das Urheberrecht an dieser Zeichnung und sämtlicher Beilagen verbleibt bei uns. Sie sind dem Empfänger nur zum persönlichen Gebrauch anvertraut. Ohne unsere schriftliche Genehmigung dürfen sie nicht vervielfältigt, nicht dritten Personen mitgeteilt oder zugänglich gemacht werden. Widerrechtliche Benutzung durch den Empfänger oder Dritte hat zivil- und strafrechtliche Folgen.

**SITEC** SITEC GMBH  
SICHERHEITSEINRICHTUNGEN  
JOHANN-GEORG-HERZOG-STR. 19  
D-96369 Weissenbrunn  
TELEFON : 09261/60750  
TELEFAX : 09261/607510

|  |                 |            |                   |              |  |
|--|-----------------|------------|-------------------|--------------|--|
| Auftrag:   |                 |            |                   |              |  |
| Projekt-Nr.:   | P 7010          |            |                   |              |  |
| Kunde:   |                 |            |                   |              |  |
| Werkstoff:   |                 |            |                   |              |  |
| Wenn ohne Angabe:<br>Kanten: Gratfrei R=0,2<br>Oberfläche: DIN ISO 1302 Reihe2 Rz 50 | Vers. Änderung  |            | Datum             | Name         |  |
|  | Erstellt Glaser | 21.11.2008 | Masstab: 1:5      | Format: A3   |  |
|  | Geändert Glaser | 02.12.2008 | Zeichnungsnummer: | Index:       |  |
|  | Geprüft         |            | 7.7010.00         | 0            |  |
| Benennung: P 7010 customer's drawing standard  |                 |            |                   | Artikel-Nr.: |  |
| Dosname: X:P7010\7_7010_00_0_2.DWG   |                 |            | Ursprung:         |              |  |