

Front-Opening Counter P 7097-Delta

Front-Opening Counter P 7097 with Intercom System DELTA

This unit was designed for the flush built-in into the front or partition walls.
It is for in- as well as for outdoor use in porters' lodges, prisons, embassies and customs offices.

Security

P 7097 is available in bulletproof classification FB4 up to FB 7 as well as in fire-resistant execution. On request we send you the respective test certificate.

Operation

The unit is operated manually. Only after closing the inner cover plate, the carriage can be moved to the outside. It locks in both end positions.

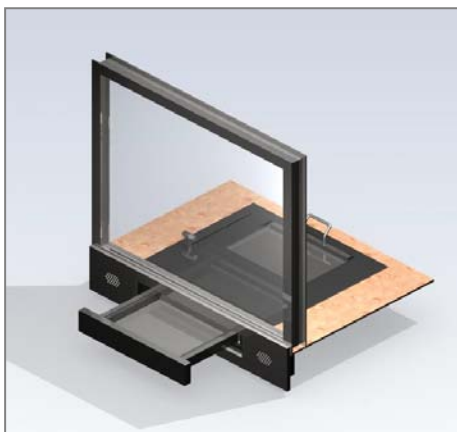
Tray and inner cover plate are interlocked which guarantees the bullet-resistance and at the same time prevents from unauthorized grasping in and draught at the workplace.

Construction and finish

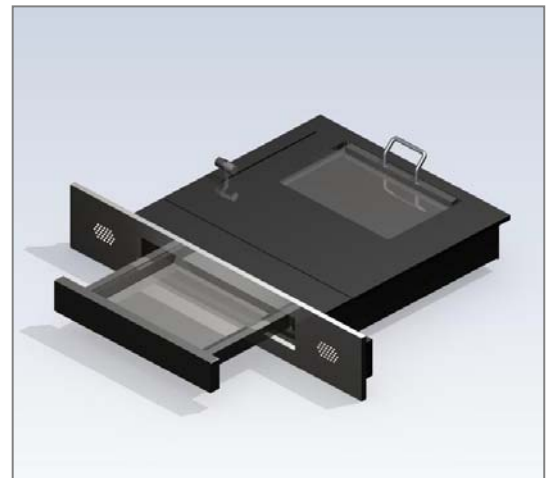
Solid, lacquered steel construction. Front cover, inner cover plate as well as draught slide are from aluminium, silver anodized as standard version.
A complete intercom system SITEC-DELTA is integrated in the front-opening counter. An optional mounting of the capsule microphone in the window frame on eye level has to be checked by third party.

Installation

From the outside, the unit is inserted into the prepared wall-opening. From above the inner cover plate of the counter is set into the cut-out of the desk and bolt together with the unit. In any case, the unit needs to be appropriately supported to make sure that the counter does not bear the whole weight. It should be also possible to dismantle the unit in case of later repairs and maintenance work will become necessary.



Intercommunication system SITEC-DELTA is integrated



Scope of delivery

Front-Opening Counter P 7097-FB4 (Item No: 105378)
Front-Opening Counter P 7097-FB6 (Item No. 109524)
Front-Opening Counter P 7097-FB7

Possible variants

P 7097, without integrated intercom. system
P 7097/O, for pass-through of large files
size: DIN A 4
P 7097/F120, fire-resistant acc. to DIN 4102

as well as combinations of the above, special constructions, e.g. for thicker walls, with different dimensions of the blind, special colors (RAL), stainless steel finish, etc.

Please contact us.

Security (Bulletproof according to DIN EN 1522): FB4-NS or FB6-NS or FB7-NS
For Item Nos. pls. refer to scope of delivery
(all also acc. to BGV C9 - UVV Kassen)

Wall opening:

W x H = 885 x 130 mm
Strength of wall above max. 250 mm

Front cover :

L = 920 mm, H = 165 mm

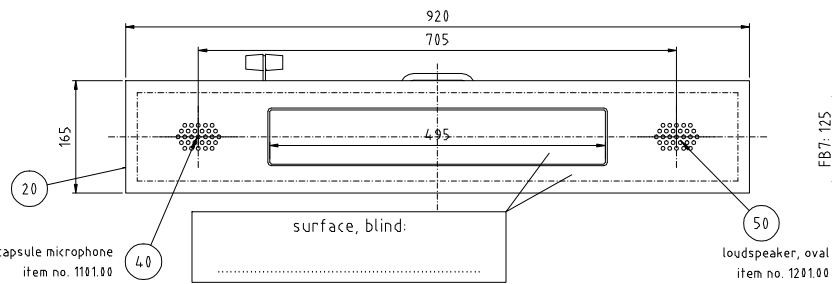
Inner clearance:

W x H x D = 330 x 30 x 235 mm

Required information for order:

Name, bullet-resistance class and Item No.

view from outside

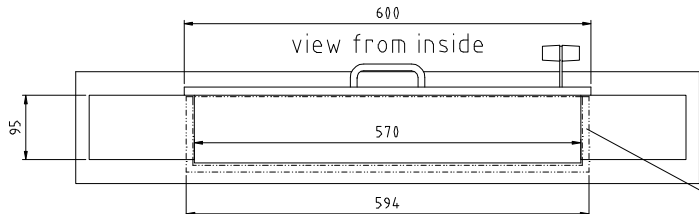


capsule microphone
item no. 1101.00

surface, blind:

loudspeaker, oval
item no. 1201.00

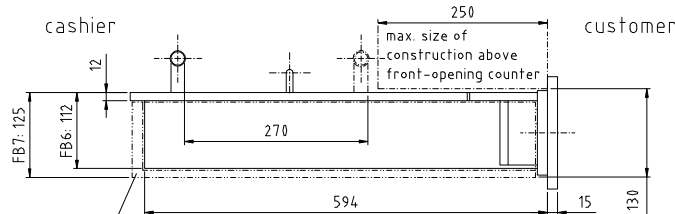
view from inside



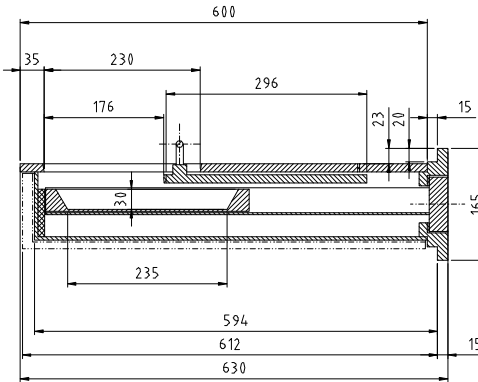
intercom main control, available as
on-desk and built-in version, pls.
refer to sales leaflet

casing only needed for FB7!
for this order:

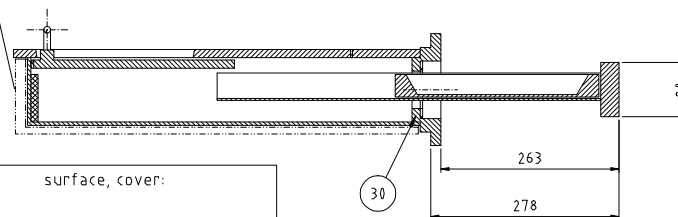
view from the side



view with drawn-in carriage



view with pulled out carriage



surface, cover:

production pcs.

From the outside, the front-opening counter will be pushed into the ready cut-out. In case the strength of wall (less than 500 mm) is too small, the unit needs to be supported at the inside.

The casing has to be cladded by third party at the inside.

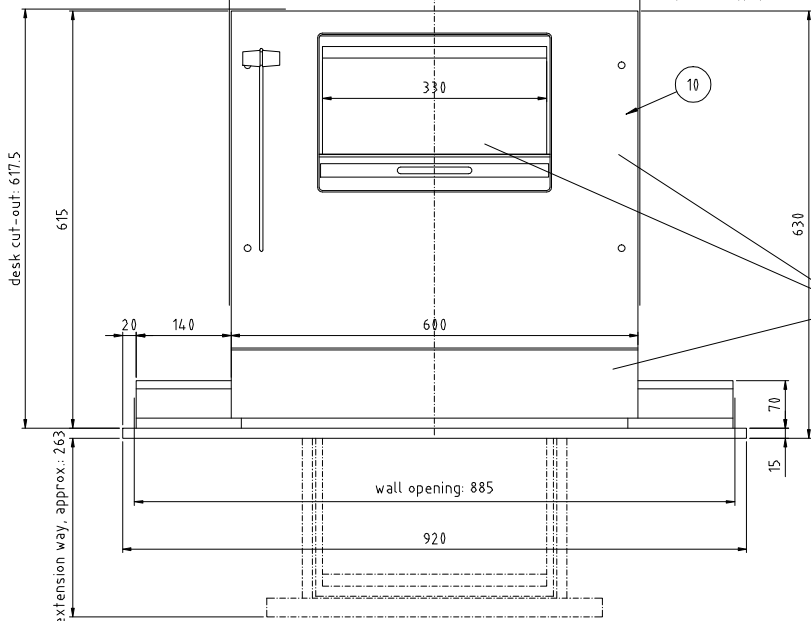
The drive is manually.

Although the unit is produced with greatest care, after long operation repairs might become necessary. Therefore it should be possible to pull out the unit to the outside.

Subject to alterations.

desk cut-out: 605

yes or: no
(please tick appropriate)



desk cut-out: 617.5

wall opening: 885

approval for production

date:

stamp and signature

Allgemeintoleranzen DIN ISO 2768-1m
Tolerierung DIN ISO 8115

über	über	über	über
6	30	110	300
bis	bis	bis	bis
6	30	110	300
+0,1	+0,2	+0,3	+0,5

für Genauigkeit und Oberflächengüte ISO 2768-Toleranzklasse K

+0,15 | +0,1 | +0,2 | +0,4 | +0,6 | +0,8

für Durchschneidmaß ISO 2768-Toleranzklasse K

0,1 | 0,3 | 0,4 | 0,6 | 0,8 | 1

Die Übereinstimmung in dieser Zeichnung und der gefertigten Fertigung ist zu erwarten. Für die Abfertigung sind nur gezeichnete Merkmale anzugeben. Weitere schriftliche Änderungen dürfen nur nach Vereinbarung, nicht ohne Personensignatur oder signifikant veränderte Materialkennzeichnung durch den Empfänger oder Prüfer bei Zulieferern und Fremdfertigern.

Wenn ohne Angabe:
Kanten: Gr 0,1
Oberflächen: Ra 1,6

Benennung: P 7097 customer's drawing
with DELTA / standard

Desname: XPT09707_01_2_2.DWG

Ursprung:



Auftrag:

Projekt-Nr.:

Kunde:

Werkstoff:

Geprüft:

Name

Ursprung:

05.02.01	GI
23.11.00	SC
17.12.2008	
17.12.2008	
7.7097.01	

2 DELTA integriert

1 PR-Teile gelöscht

Verf. Änderung

Erstellt: Glaser

Seitler: Glaser

Geprüft:

Benennung: P 7097 customer's drawing
with DELTA / standard

Desname: XPT09707_01_2_2.DWG

Ursprung:

05.02.01

23.11.00

17.12.2008

17.12.2008

7.7097.01

Name

Ursprung:

Benennung: P 7097 customer's drawing
with DELTA / standard

Desname: XPT09707_01_2_2.DWG

Ursprung:

05.02.01

23.11.00

17.12.2008

17.12.2008

7.7097.01

Name

Ursprung:

Benennung: P 7097 customer's drawing
with DELTA / standard

Desname: XPT09707_01_2_2.DWG

Ursprung: